

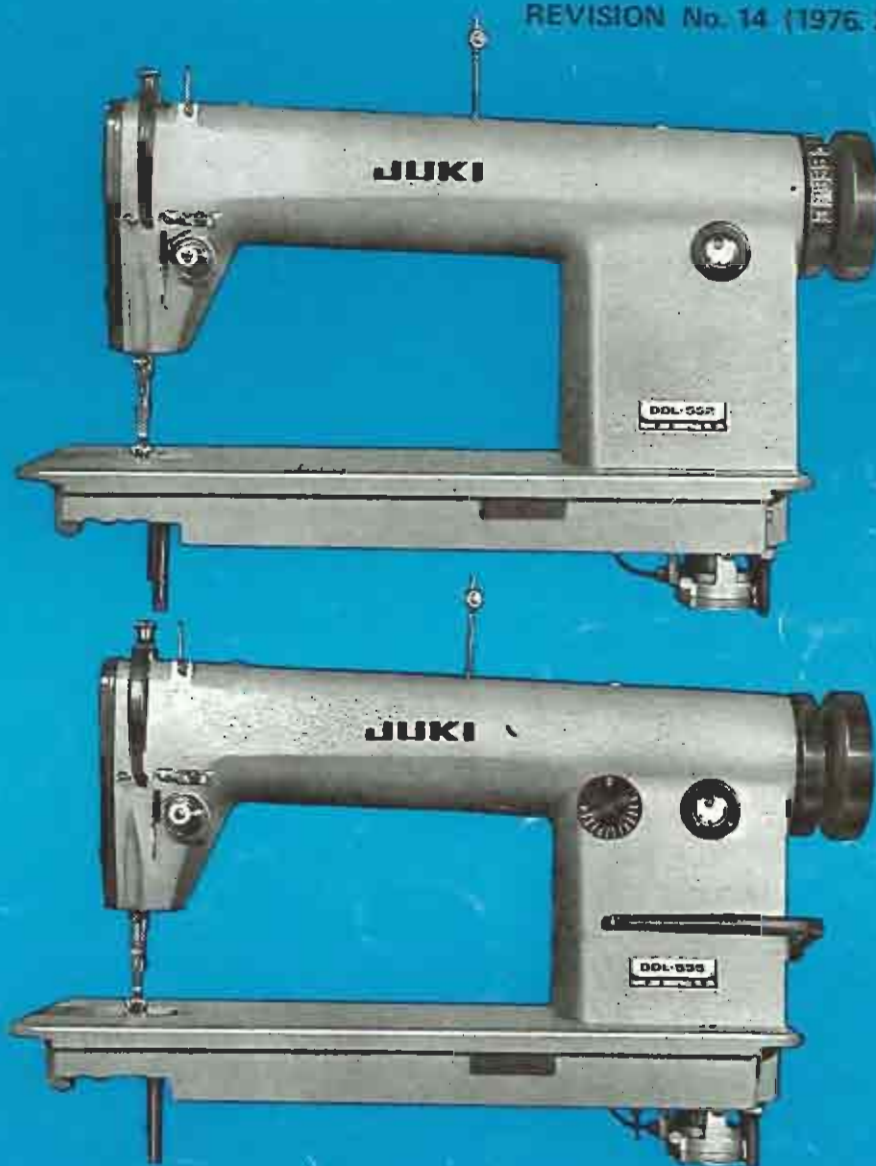
JUKI®

model **DDL-552·553·555**

High Speed Single Needle Lockstitch
Industrial Sewing Machines

PARTS * BOOK

REVISION No. 14 (1976.2)



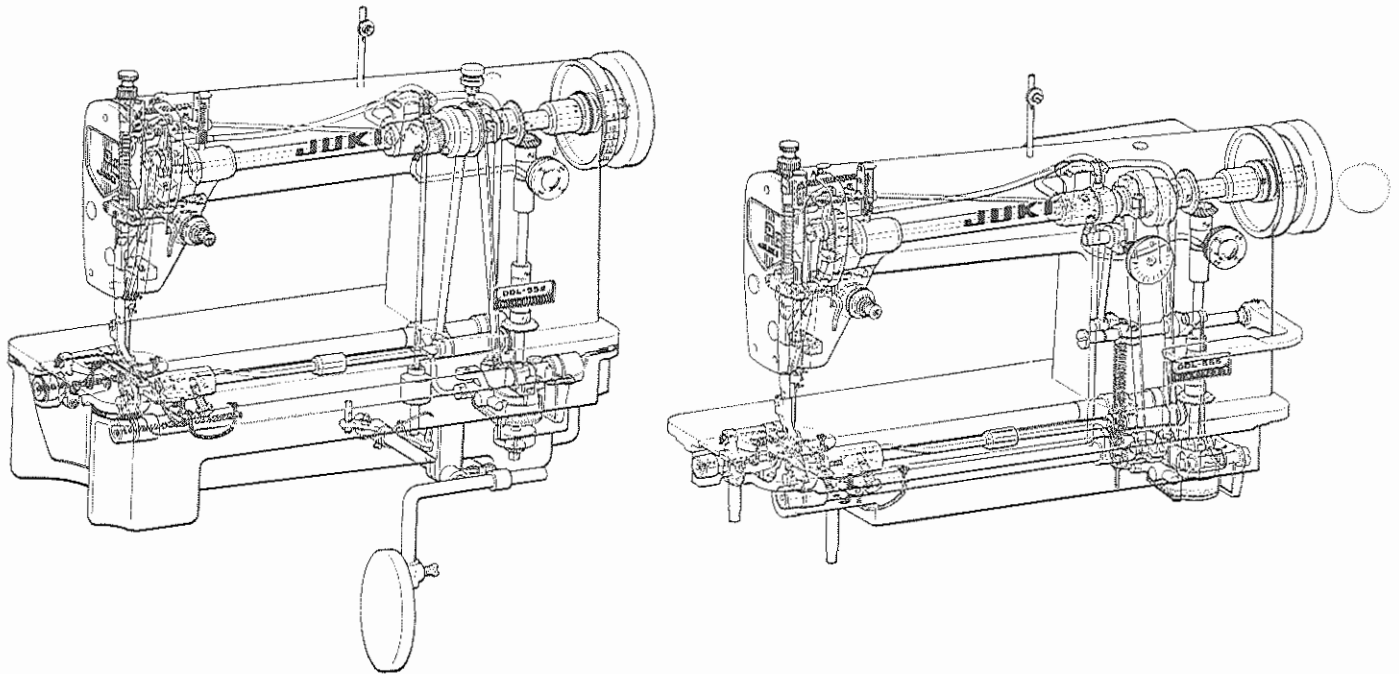
TOKYO JUKI INDUSTRIAL CO., LTD.

HOW TO MAKE USE OF THIS PARTS BOOK

1. This is a consolidated PARTS BOOK of Model DDL-552-DDL-553-DDL-555.
2. This list is divided, as a principle, into various sections according to the functions of parts and also contains illustrations to assist you visually.
For example, if you want some parts for the MACHINE FRAME & TENSION PARTS COMPONENTS, just refer to the section on "MACHINE FRAME & TENSION PARTS COMPONENTS" etc.
3. The figures on the illustrations indicate the corresponding numbers on the BOOK.
4. On bits and pieces parts such as screws, etc. the illustration shows only a representative one and so for the required quantity of these parts, refer to the BOOK.
5. Parts marked with * on the "Ref. No." column, mean these parts are one complete assembly unit.
6. The parts under "Amt. Req." column circled by ○ are parts included in the one assembly unit which is marked with * just above these parts.
7. When placing your order, please specify your order by the assembly unit number marked with * under the "Ref. No." column.

FOR EXAMPLE

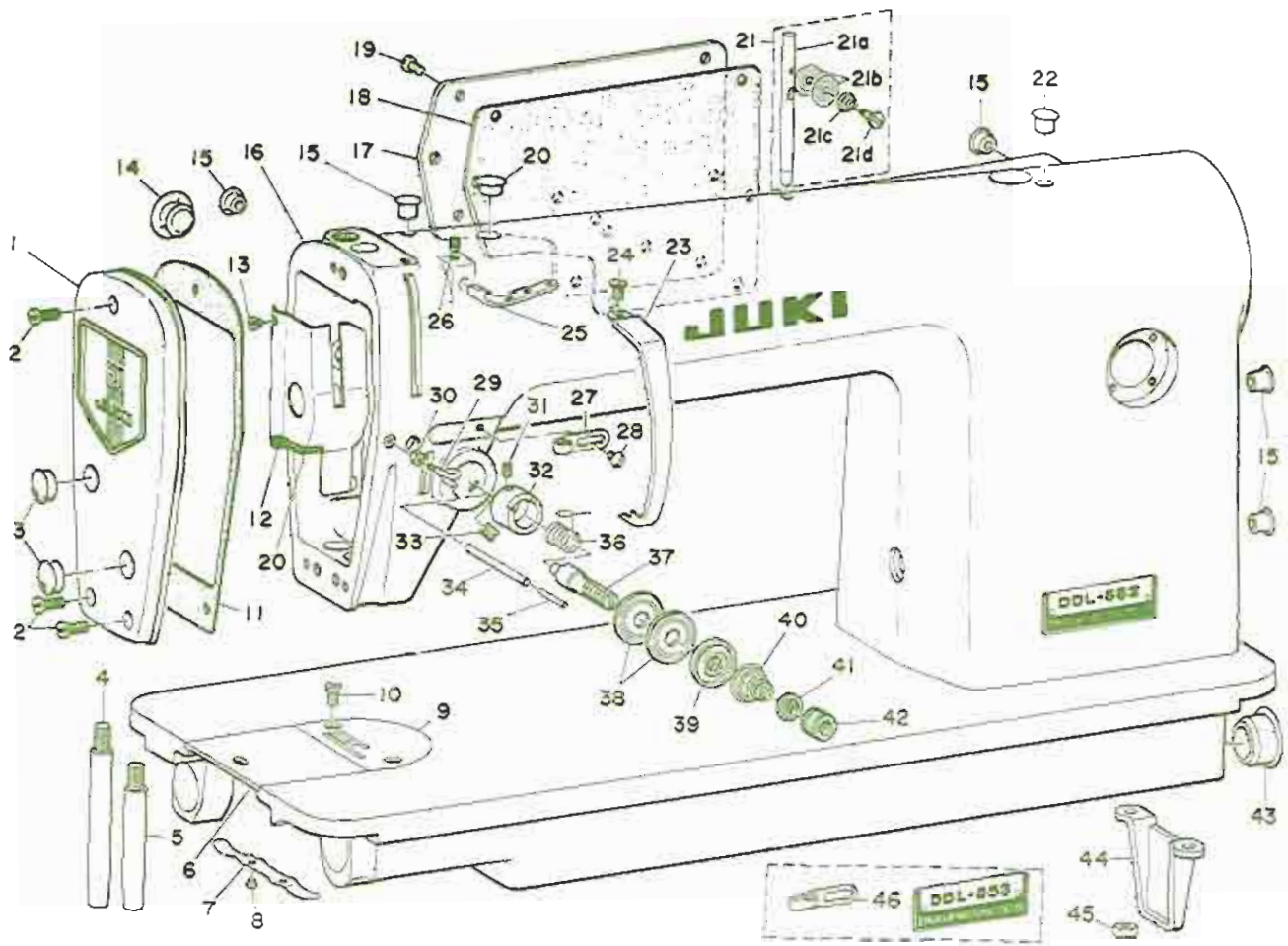
Ref. No.	Part No.	Description	Amt. Req.	
*1	B-1111-111-0A0	Name of part	1	Means one assembly unit
2	B-1111-111-000	" "	①	Means this is included in the above B-1111-111-0A0 assembly unit. (This part can be sold as a single unit)



CONTENTS

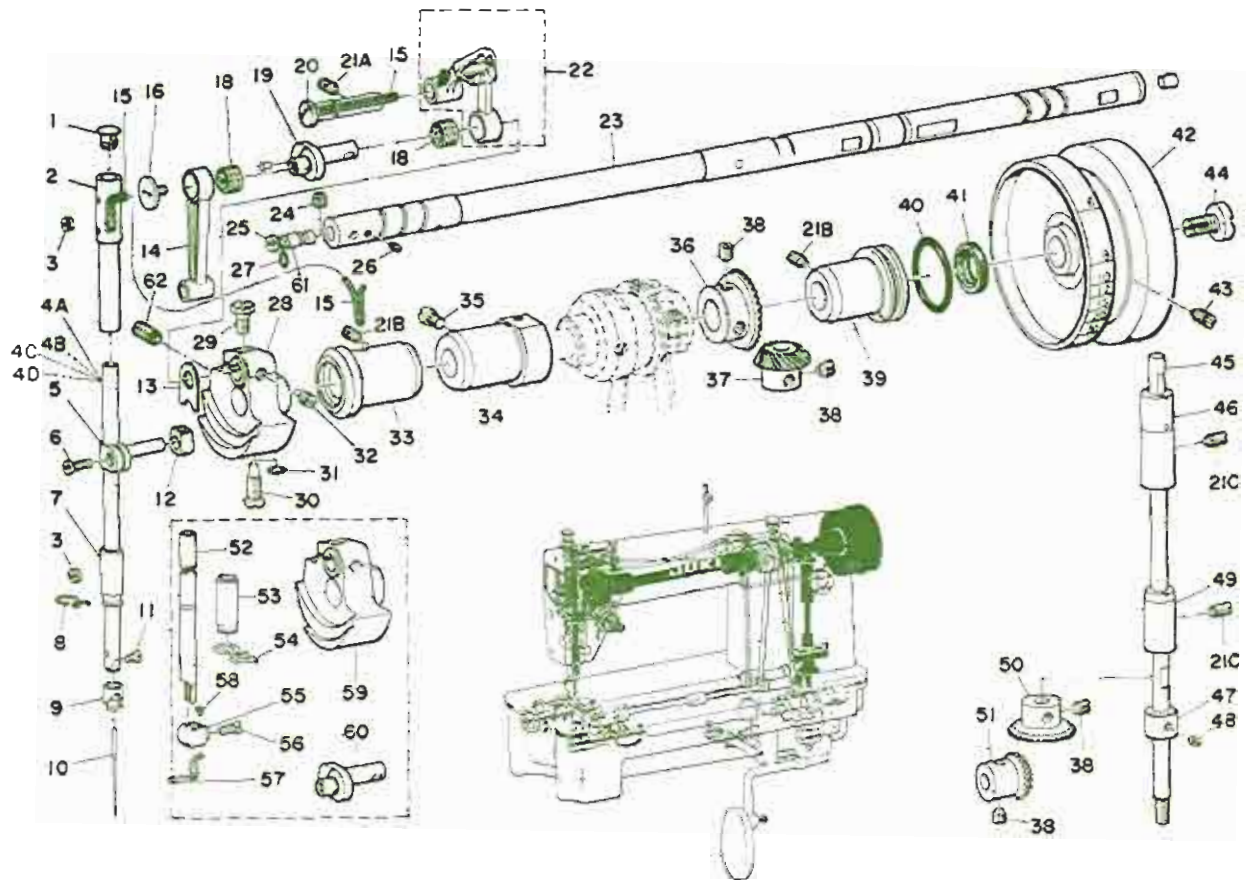
1. MACHINE FRAME & TENSION PARTS COMPONENTS	1
2. NEEDLE BAR, MAIN SHAFT & UPRIGHT SHAFT COMPONENTS	2
3. PRESSER BAR, LIFTING LEVER & HOOK DRIVING SHAFT COMPONENTS	3
4. FEED ROCKER SHAFT & FEED DRIVING SHAFT COMPONENTS	4
5. OIL LUBRICATION MECHANISM COMPONENTS	5
6. OIL RESERVOIR & KNEE LIFTER COMPONENTS	6
7. EXCLUSIVE PARTS FOR DDL-555	7
8. NUMERICAL INDEX OF PARTS.....	8

1. MACHINE FRAME & TENSION PARTS COMPONENTS



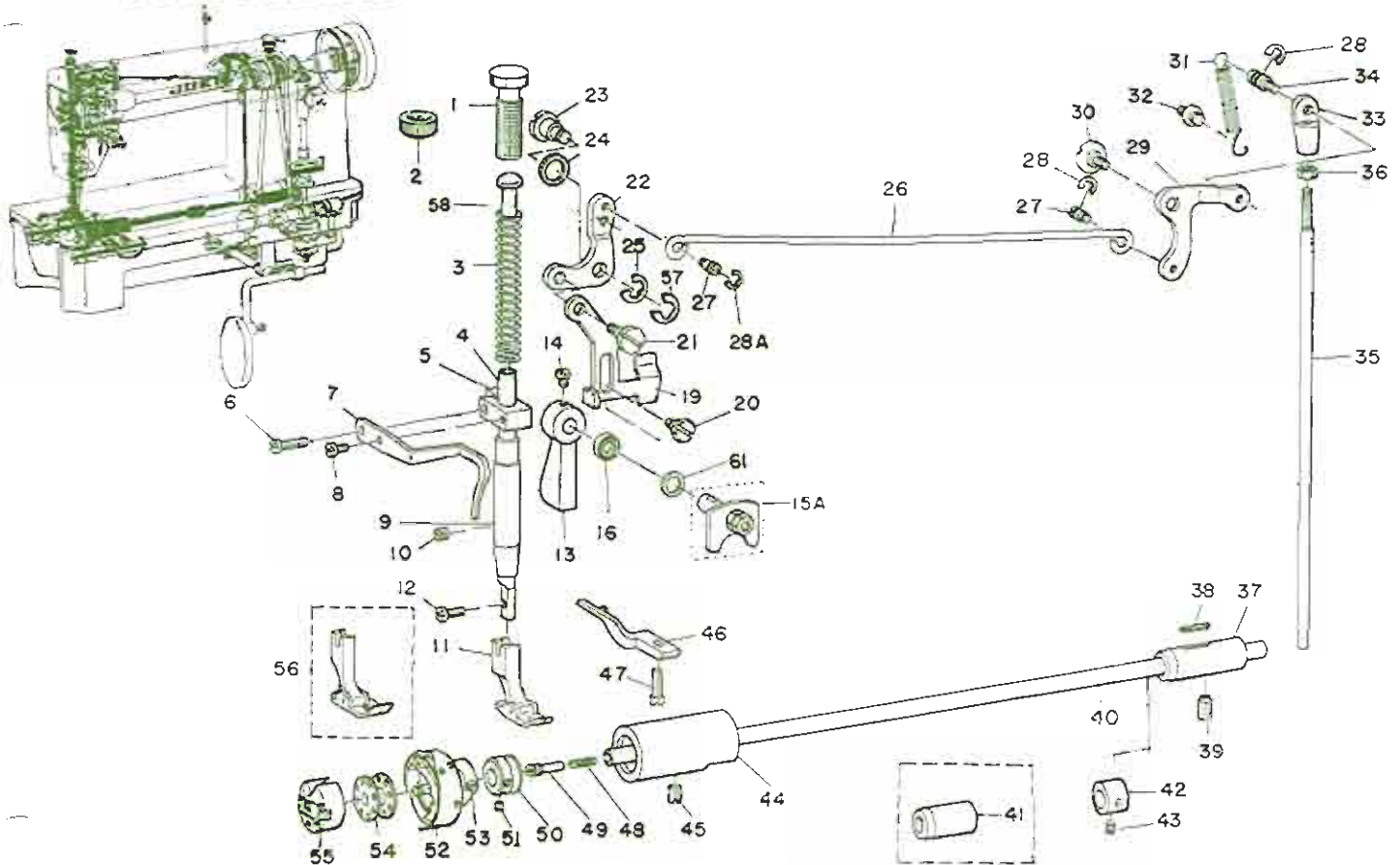
Ref. No.	Part No.	Description	Amt. Req.	Ref. No.	Part No.	Description	Amt. Req.
1	B-1121-552-0A0	Face plate	1	23	B-1123-552-000A	Thread take-up lever oil guard	1
2	SS-7111120-SP	. . . Screw	3	24	SS-7110510-SP	. . . Screw	1
3	B-1179-552-000	. . . Rubber plug	2	25	B-1128-522-000	Three-hole thread eyelet	1
4	B-1104-122-000	Bed screw stud (A)	1	26	SS-8110510-SP	. . . Screw	1
5	B-1105-122-000	Bed screw stud (B)	1	27	B-1126-552-000	Frame thread guide (A) (DDL-552,5)	1
6	B-1110-012-0A0	Bed slide, assembly	1	28	SS-5090610-SP	. . . Screw	1
7	B-1111-012-000	Bed slide spring	(1)	29	B-3114-761-000	Frame thread guide (B)	1
8	SS-6060210-SP	. . . Screw	(2)	30	NS-6060350-SP	. . . Set nut	1
9	B-1109-552-000	Throat plate, for DDL-552	1	*B-3111-552-0A0	Tension post, assembly (Ref. No. 31, 32, 36~42)	1	
(9)	B-1109-543-000	Throat plate, for DDL-553	(1)	31	SS-8090670-SP	Screw	(1)
10	SS-2110920-TP	. . . Screw	2	32	B-3111-552-B00	Tension post socket	(1)
11	B-1122-552-000	Face plate gasket	1	36	B-3128-012-000	Take-up spring	(1)
12	B-1188-552-000	Arm oil shield	1	37	B-3115-552-000	Tension post	(1)
20	CQ-2020000-00	. . . Oil wick	1	38	B-3126-012-000	Tension disc	(2)
13	SS-6080410-SP	. . . Screw	1	39	B-3132-552-000	Tension release washer	(1)
(13)	SS-6080320-SP	. . . Screw, for DDL-553	(1)	40	B-3129-012-A00	Tension spring	(1)
14	B-1164-012-000	Rubber plug, large	1	41	B-3120-125-000	Tension disc stop	(1)
15	B-1117-552-000	Rubber plug	5	42	B-3116-125-000	Tension nut	(1)
16	B-1101-552-0A0	Machine frame & bed, assembly for DDL-552, 3	1	33	SS-8150710-SP	Clamp screw, for socket	1
(16)	B-1101-555-0A0	Machine frame & bed, assembly for DDL-555	(1)	34	B-3127-127-000	Tension release auxiliary pin	1
17	B-1118-522-000	Side plate	1	35	B-3118-552-C00	Tension release pin	1
18	B-1119-522-000	. . . Gasket	1	43	B-1166-552-000A	Bed shaft rubber plug	2
19	SS-7110910-SP	. . . Screw	8	44	B-1106-122-000	Bed leg	1
21	B-1113-155-0A0	Needle thread guide pin, assembly	1	45	NS-6150310-SP	. . . Nut	2
21a	B-1113-155-000	Needle thread guide pin	(1)	46	B-1126-553-000	Frame thread guide (A), for DDL-553	1
21b	B-3148-123-000	. . . Tension disc	(2)				
21c	B-3149-123-A00	. . . Tension spring	(1)				
21d	SD-0380552-SL	. . . Hinge screw	(1)				
22	B-1186-552-000	. . . Rubber plug	2				

2. NEEDLE BAR, MAIN SHAFT & UPRIGHT SHAFT COMPONENTS



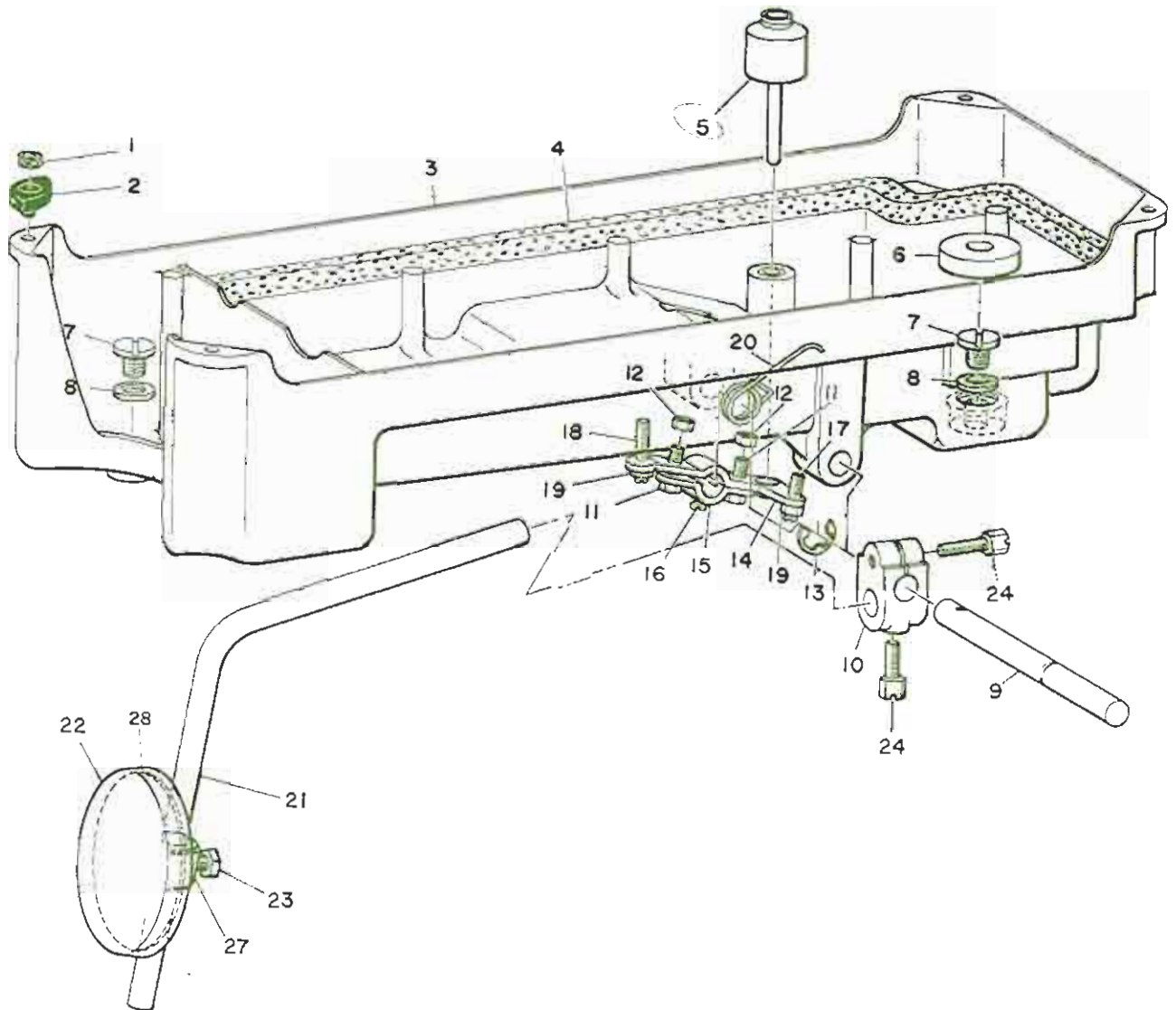
Ref. No.	Part No.	Description	Amt. Req.	Ref. No.	Part No.	Description	Amt. Req.
1	B1405-012-000	Rubber plug	1	(33)	B1202-552-B00	Main shaft bushing, front (old type)	(1)
2	B1402-552-000-A	Needle bar bushing, upper	1	21B	SS-8151150-SP	... Screw	2
3	SS-8150310-SP	... Screw	1	34	B1203-227-000	Main shaft bushing, intermediate	1
4A	B1401-552-A00	Needle bar (A)	1	35	SS-7151120-SP	... Screw	1
4B	B1401-552-B00	Needle bar (B)	(1)	*B1306-155-0A0	Gear, pinion & mitre gear complete, No.36, 37, 50, 51	1	
4C	B1401-552-C00	Needle bar (C)	(1)	36	B1305-012-000	Gear	(1)
4D	B1401-552-D00-A	Needle bar (D)	(1)	37	B1308-155-000	Pinion	(1)
5	B1411-552-0A0	Needle bar connection	1	50	B1307-155-000	Mitre gear, large	1
6	SS-6090670-TP	... Clamp screw	(1)	51	B1308-155-000	Mitre gear, small	1
7	B1403-155-000	Needle bar bushing, lower	1	38	SS-8680810-TP	... Screw	(8)
8	B1419-155-000	Needle bar thread guide	1	39	B1204-552-B00	Main shaft bushing, rear	1
9	B1418-541-000	Needle thread guide	1	40	RO-2943101-00	... Rubber ring	1
10	MD8-257B1400	Needle, DBx257(18x257) #14	1	41	B1208-552-000-A	... Oil seal	1
11	SS-7080510-SP	... Clamp screw	1	42	B1217-552-000	Hand wheel	1
12	B1414-232-000	Needle bar connection slide block	1	43	SS-8151550-SP	... Screw	2
13	B1212-552-A00	Counterweight protecting plate	1	44	B1233-012-000	... End screw	1
14	B1408-552-000	Needle bar link	1	45	B1301-552-000	Upright shaft	1
15	CO-2020000-00	Oil wick	1	46	B1302-552-B00	... Bushing, upper	1
19	B1209-552-000	Needle bar crank	1	21C	SS-8151150-SP	... Screw	?
16	B1903-552-000	... End screw, left hand	(1)	47	CS-0791016-SH	Thrust collar	1
18	B1905-541-B00	Needle bearing	2	48	SS-8110520-TP	... Screw	2
22	B1901-552-0A0	Take-up lever, assembly	1	49	B1203-552-B00	... Bushing, lower	1
20	B1904-552-000	Take-up lever pin	1	61	B1215-552-000	Oil adjusting collar	1
21A	SS-8151150-SP	... Screw	1	- EXCLUSIVE PARTS FOR DDL-553 -			
23	B1201-552-000	Main shaft, for DDL-552.3	1	(10)	MD8-257B1800	Needle, DBx257, 18x257, #18	1
24	B1226-552-000	... Roller felt	1	52	B1401-553-A00	Needle bar (A)	1
25	B1213-552-000	... Oil adjusting pin	1	53	B1403-553-000	... Bushing, lower	1
26	B1224-552-000	... Screw	1	54	B1419-553-000	... Thread guide	1
27	RO-0291801-00	... Rubber ring	1	55	B1418-543-0A0	Needle-holding clamp (with screw)	1
28	B1206-552-000	Counter weight	1	56	B1423-543-000	... Screw	1
29	SS-9681120-CP	... Clamp screw, for crank	1	57	B1418-543-000	Needle thread guide	1
30	SS-7681650-TP	... Screw (A)	1	58	SS-5060310-SP	... Screw	1
62	SS-8681950-SP	... Screw (B)	1	59	B1205-553-000	Counterweight	1
31	RO-0442401-00	... Rubber ring	1	60	B1209-553-000	Needle bar crank	1
32	SS-8680610-TP	... Screw, for crank	1				
33	B1202-552-B00-A	Main shaft bushing, front (new type)	1				

3. PRESSER BAR, LIFTING LEVER & HOOK DRIVING SHAFT COMPONENTS



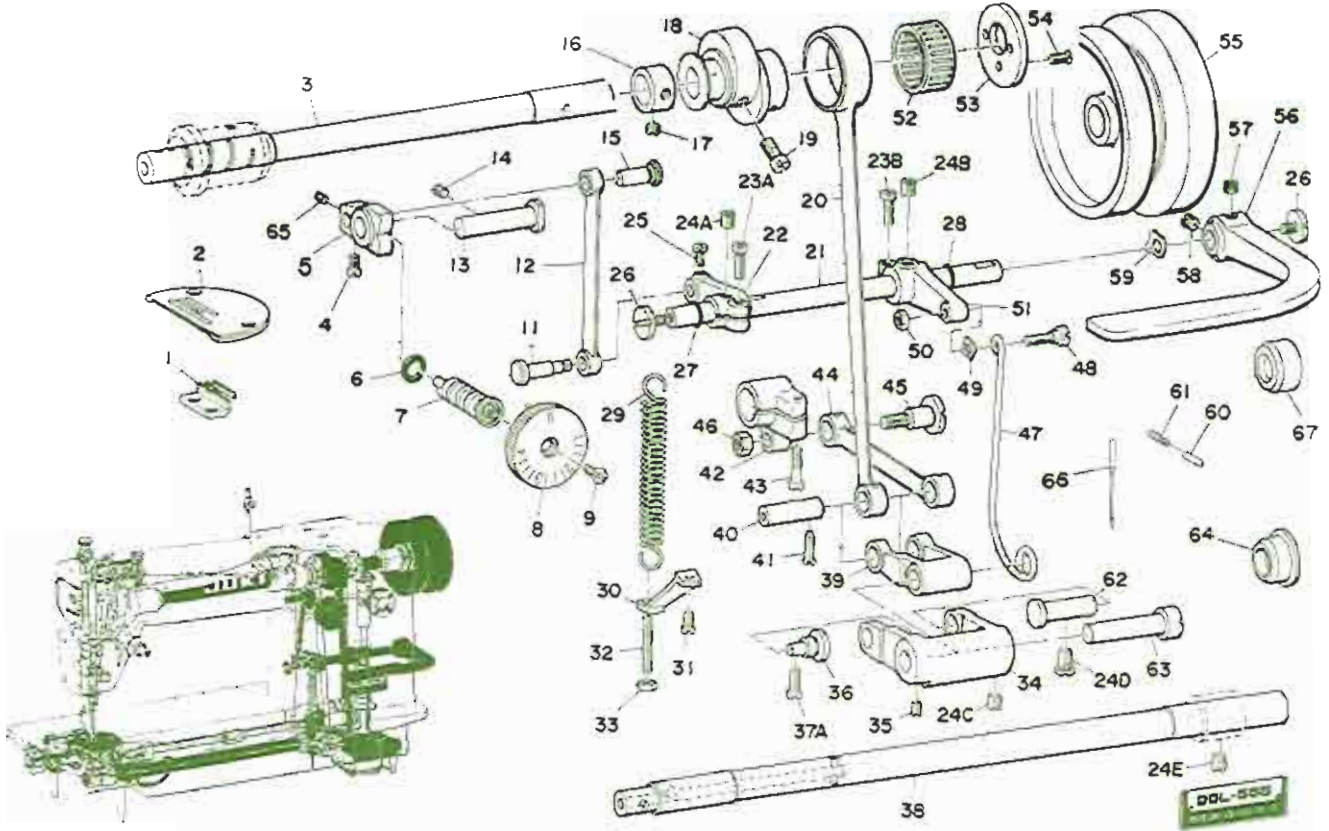
Ref. No.	Part No.	Description	Amt. Req.	Ref. No.	Part No.	Description	Amt. Req.
1	B-1509-227-C00	Presser spring regulator	1	29	B-3414-552-000	Lifting lever link, right	1
58	B-1510-227-C00	Presser guide bar	1	30	SD-0720331-SP	... Hinge screw	1
2	NS-2820850-SA	... Nut	1	31	B-3417-552-C00	... Spring	1
3	B-1505-227-000A	Presser spring	1	32	B-3413-227-000	... Suspension screw	1
(3)	B-1505-552-000A	Presser spring (DDL-553)	(1)	33	B-3416-012-C00	Swivel	1
4	B-1501-127-000	Presser bar	1	34	B-3418-552-C00	... Screw	1
5	B-1507-552-000	Presser bar guide bracket	1	35	B-3415-552-C00	Lifting lever connecting rod, vertical	1
6	SS-7111410-SP	... Clamp screw	1	36	NS-6620310-SP	... Nut	1
7	B-1521-552-C00	Stack thread regulator	1	37	B-1804-552-B00	Hook driving shaft bushing rear	1
8	SS-8090650-SP	... Screw	1	38	B-1806-038-000	... Oil felt	1
9	B-1502-541-C00	Presser bar bushing, lower	1	39	SS-8151550-SP	... Screw	1
10	SS-8150310-SP	... Screw	1	40	B-1801-412-000	Hook driving shaft	1
11	B-1524-012-0A0	Presser foot assembly, for DDL-555	1	41	B-1803-552-000	... Bushing, intermediate	1
(11)	B-1524-552-0A0	Presser foot assembly, for DDL-552	(1)	44	B-1802-412-0A0	... Bushing, front(assembly)	1
56	B-1511-543-BA0	Presser foot assembly, for DDL-553	(1)	45	SS-8151150-SP	... Screw	1
12	SS-7091110-SP	... Screw	1	46	B-1835-012-C00	Bobbin case holder positioning finger	1
13	B-1520-552-C00	Hand lifter	1	47	SS-8111010-SP	... Screw	1
14	SS-7120910-SP	... Screw	1	48	B-1808-552-0A0	Oil seal screw	1
*15A	B-1518-552-0A0	Hand lifter cam, assembly	1	49	B-1810-552-C00	Oil wick	1
61	WP-0740516-SP	Washer, for hand lifter hinge pin	1	50	CS-0791066-SH	Hook driving shaft thrust collar	1
16	B-1522-552-C00	... Oil seal ring	1	51	SS-8110410-TP	... Screw	2
19	B-1515-552-C00	Lifting lever	1	52	B-1830-127-0A0	Hook, assembly	1
20	SD-0630275-SP	... Hinge screw (A)	1	53	SS-6110550-TP	... Screw	2
21	SD-0630301-SP	... Hinge screw (B)	1	54	B-9117-012-C00	Bobbin	1
22	B-1516-552-C00	... Link, left	1	55	B-1837-012-0A0	Bobbin case, assembly	1
23	B-1517-552-C00	... Hinge pin	1	42	CS-0791016-SH	Thrust collar (B)	1
24	B-3431-581-000	... Gasket	1	43	SS-8110520-TP	... Screw	2
25	RE-0600000-K0	... Snap ring	1				
57	B-1523-226-C00	... Snap ring (B)	1				
26	B-3412-552-000	Lifting lever connecting rod	1				
27	B-3416-552-000	... Hinge screw	1				
28	RE-0500000-K0	... Snap ring	3				

6. OIL RESERVOIR & KNEE LIFTER COMPONENTS



Ref. No.	Part No.	Description	Amt. Req.	Ref. No.	Part No.	Description	Amt. Req.
*	B-8217-552-0C0	Oil reservoir complete (Ref. No. 1~20, 24)	1	13	B-3426-552-000	... Thrust ring	①
*	B-8217-552-0A0	Oil reservoir assembly (Ref. No. 1~4, 7, 8)	1	14	B-3425-552-000	... Lifter lever (B)	①
1	B-8227-125-0C0	Felt pad	4	15	B-3424-552-000	... Lifting lever (A)	①
2	B-8226-125-000	Rubber pad	4	16	SS-9151120-SR	... Screw	①
5	B-3421-552-0A0	Knee press lifter rod, assembly	1	17	SS-8152080-SR	... Positioning screw (B)	①
6	B-8228-125-000	Oil reservoir magnet	1	18	SS-8153010-SR	... Positioning screw (A)	①
3	B-8217-552-000	Oil reservoir	①	19	NS-6150430-SR	... Nut	②
4	B-8218-552-000	... Gasket	①	20	B-3429-552-000	Spring	①
7	SS-6741010-SP	Oil drain cap screw	②	24	SS-9182010-SN	Clamp screw, for No. 10	②
8	B-8219-125-000	... Gasket	②	*B-3419-552-0A0	Knee lifter plate rod complete (No. 21~ 23, 27, 28)	①	
*	B-3420-552-0A0	Knee press rod complete (Ref. No. 9~ 20, 24)	①	21	B-3419-122-0C0	Knee lifter plate rod	①
9	B-3420-552-000	Knee press rod	①	22	B-3431-552-0C0	Knee press plate cover	①
10	B-3427-122-000	... Bearing bracket	①	23	SM-9061003-SE	Screw, for knee press plate stopper	①
11	SS-9151540-SR	... Clamp screw	②	27	B-3432-552-000	Knee press plate stopper	①
12	NS-6150430-SR	... Nut	②	28	B-3430-552-000	Knee press plate	①

7. EXCLUSIVE PARTS FOR DDL-555



Ref. No.	Part No.	Description	Amt. Req.	Ref. No.	Part No.	Description	Amt. Req.
1	B-1613-012-AC0	Feed dog (A)	1	35	SS-8620610-SP	Screw (B)	1
2	B-1109-012-A00	Throat plate (A)	1	36	B-1619-555-0C0	Hinge pin	1
3	B-1201-555-000	Main shaft	1	37A	SS-7111120-SP	Screw	1
5	B-1620-161-000	Feed regulator	1	38	B-1701-555-0C0	Feed driving shaft	1
4	SS-7110720-SP	Screw (A)	1	39	B-1614-555-000	Feed driving rocker arm	1
65	SS-8110510-SP	Screw (B)	1	40	B-1633-555-0C0	Connecting pin	1
6	RO-0742401-00	Rubber ring	1	41	SS-7111260-SP	Screw	1
7	B-1634-555-000B	Stitch length regulating screw	1	42	B-1608-161-0C0	Feed rocker shaft crank, rear	1
8	B-1623-555-0A0A	Feed regulator dial, assembly	1	43	SS-6121610-TP	Clamp screw	1
10	B-1648-012-000	Stop pin	1	44	B-1613-555-0C0	Connecting rod	1
9	SS-6121050-SP	Screw	1	45	SD-1020701-SP	Hinge screw	1
11	B-1628-555-000	Tension spring suspension stud	1	46	NS-6680330-SP	Nut	1
12	B-1626-555-000	Feed regulator connecting rod	1	47	B-1630-555-0C0	Feed driving rocker arm connecting rod	1
13	B-1622-555-000	Feed regulator hinge pin	1	48	SD-0500401-SP	Hinge screw	1
14	SS-8151230-SP	Screw	1	49	WZ-0541510-KP	Washer	1
15	B-1626-555-000	Feed regulator connecting rod pin	1	50	NS-6120310-SP	Nut	1
16	CS-1471212-SH	Thrust collar	1	51	B-1629-555-000	Control lever crank, rear	1
17	SS-8680610-TP	Screw	2	24B	SS-8150710-SP	Screw	1
18	B-1610-555-0A0	Feed eccentric	1	23B	SS-6121210-SP	Clamp screw	1
19	SS-6661110-SP	Screw	2	52	B-1636-581-000	Needle bearing	1
20	B-1612-161-000	Feed rocker shaft connecting rod	1	53	B-1611-161-000	Feed eccentric thrust washer	1
21	B-1621-555-000	Reverse feed control lever shaft	1	54	SS-2110930-SP	Screw	3
22	B-1627-555-000	Crank	1	55	B-1217-555-0A0	Hand wheel, assembly	1
23A	SS-6121210-SP	Clamp screw	1	56	B-1624-555-000	Reverse feed control lever	1
24A	SS-8150710-SP	Screw	1	57	SS-8660970-TP	Screw (A)	1
24	SS-7110910-SP	Screw, for suspension stud	1	58	SS-8660910-TP	Screw (B)	1
26	SS-7620760-SP	End screw	2	59	WZ-1052010-KP	Washer	1
27	RO-0611801-00	Rubber ring, small	1	60	B-1147-555-000	Feed regulating stop pin	1
28	RO-0691801-00	Rubber ring, large	1	31	B-1148-555-000	Spring	1
29	B-1646-555-000	Tension spring	1	62	B-1618-161-000	Feed driving rocker arm hinge pin	1
30	B-1632-555-000	Suspension bracket	1	24D	SS-7151120-SP	Screw	1
31	SS-7111120-SP	Screw	1	63	B-1615-555-000	Feed driving rocker hinge pin	1
32	B-1649-161-000	Adjusting screw	1	24E	SS-8150710-SP	Screw, for feed driving shaft bushing, rear	1
33	NS-6110420-SP	Nut	2	66	MDB-100B1400	Needle (DB X 1 #14)	1
34	B-1617-555-000	Feed driving rocker	1	64	B-1166-552-0C0A	Rubber plug for feed driving shaft	1
24C	SS-8150710-SP	Screw (A)	1	67	B-1189-415-000	Rubber plug for feed regulator	1

Part No.	Page	Ref. No.
SS-7111120-SP	7-31	
SS-7111120-SP	7-37A	
SS-7111260-SP	7-41	
SS-7111310-TP	4- 7	
SS-7111410-SP	3- 6	
SS-7111410-SP	4-44	
SS-7121410-SP	5-(26)	
SS-7121410-SP	5-26	
SS-7120910-SP	3-14	
SS-7151120-SP	2-35	
SS-7151120-SP	7-24D	
SS-7620750-SP	7-26	
SS-7681750-TP	2-30	
SS-8090670-SP	1-31	
SS-8110410-TP	3-51	
SS-8110510-SP	1-26	
SS-8110510-SP	7-65	
SS-8110510-SP	4-12A	
SS-8110520-TP	2-48	
SS-8110520-TP	3-43	
SS-8150310-SP	2- 3	
SS-8150310-SP	3-10	
SS-8150410-SP	4-49	
SS-8150710-SP	1-33	
SS-8150710-SP	4-17A	
SS-8150710-SP	4-17B	
SS-8150710-SP	4-18B	
SS-8150710-SP	7-24A	
SS-8150710-SP	7-24B	
SS-8150710-SP	7-24C	
SS-8150710-SP	7-24E	
SS-8150710-TP	7-14	
SS-8151150-SP	2-21A	
SS-8151150-SP	2-21B	
SS-8151150-SP	2-21C	
SS-8151150-SP	3-45	
SS-8151230-SP	7-14	
SS-8151550-SP	2-43	
SS-8151550-SP	3-39	
SS-8151550-SP	4-18A	
SS-8152080-SR	1-17	
SS-8153010-SR	6-18	
SS-8182010-SN	6-24	
SS-8620610-SP	7-35	
SS-8620610-TP	4- 5	
SS-8660410-TP	7-57	
SS-8660610-TP	2-32	
SS-8660610-TP	4-47	
SS-8660610-TP	7-17	
SS-8660810-TP	7-58	
SS-8660810-TP	2-38	
SS-8661430-SP	4-28	
SS-8681950-SP	2-62	
SS-9151120-SR	6-16	
SS-9151540-SR	6-11	
SS-9661120-CP	2-29	

WASHER

WP-0550800-SP	5-38
WP-0740516-SP	3-61
7-0541510-KP	7-49
7-1052010-KP	7-59



JUKI[®]
TOKYO JUKI INDUSTRIAL CO., LTD.

